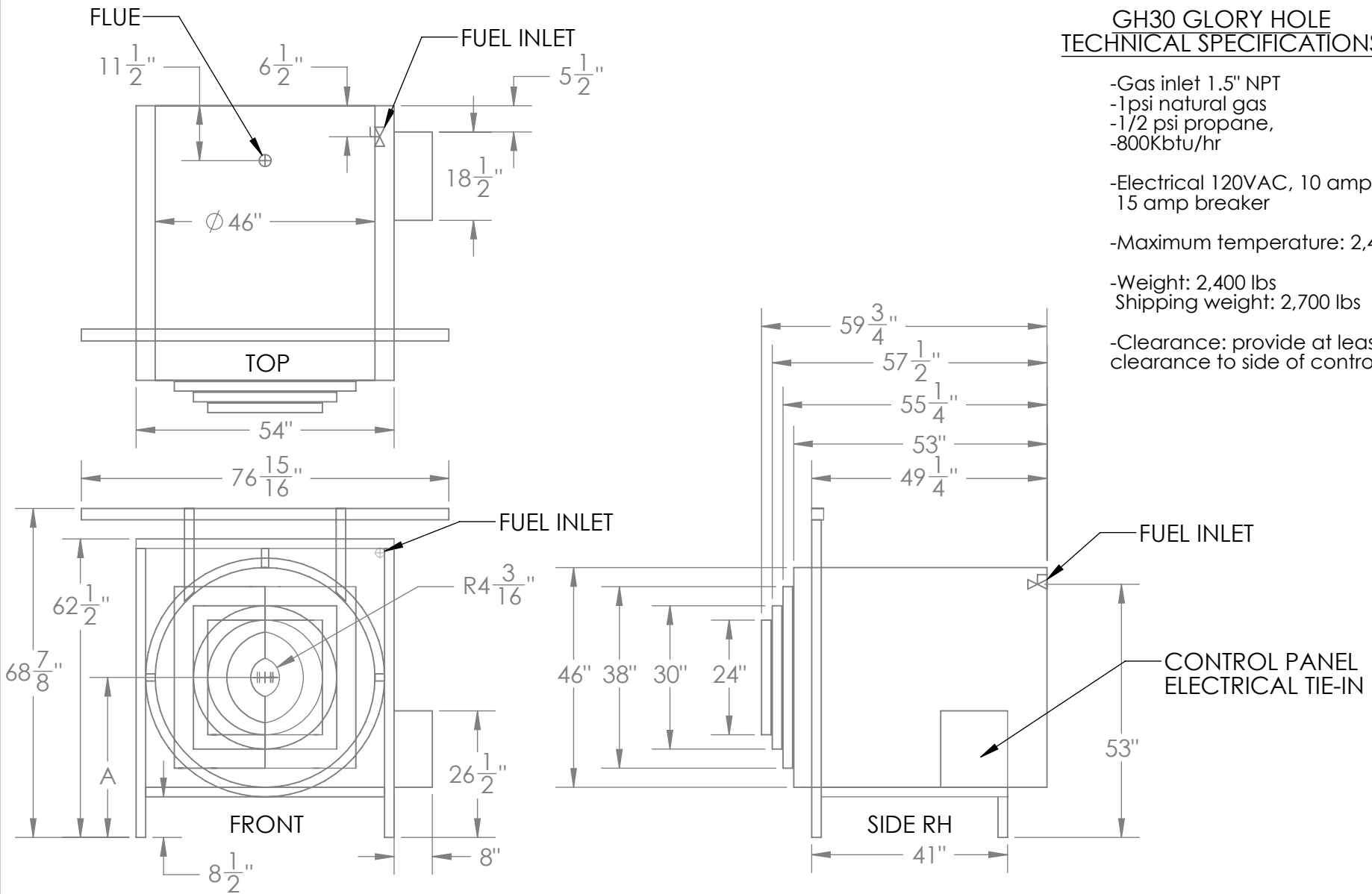


## GH30 GLORY HOLE TECHNICAL SPECIFICATIONS

- Gas inlet 1.5" NPT
- 1psi natural gas
- 1/2 psi propane,
- 800Kbtu/hr
  
- Electrical 120VAC, 10 amps  
15 amp breaker
  
- Maximum temperature: 2,450F
  
- Weight: 2,400 lbs  
Shipping weight: 2,700 lbs
  
- Clearance: provide at least 36"  
clearance to side of control panel



NOTE: DIMENSION A IS  
ADJUSTABLE FROM 33" TO 35"

**A** COPY  
REV SHEET 1 OF 1

SCALE: 1:30

04-23-09

DLB

T  
I  
T  
L  
E  
GLORY HOLE  
GH30

DATE DRAWN BY

PROPRIETARY STATEMENT

THIS DESIGN IS COPYRIGHT PROTECTED. ANY UNAUTHORIZED FABRICATION AND SALE OF THIS PRODUCT OR ITS DESIGN IS STRICTLY PROHIBITED, AND VIOLATORS WILL BE PROSECUTED TO THE FULL EXTENT OF THE LAW.

100-C RUSSELL DR.  
STAR, N.C. 27356  
P.O. BOX 96  
Ph. 910-428-4111  
Fx. 910-428-4123



**WET  
DOG  
GLASS**

TOLERANCES: FRACTIONS=  $\pm 1/16"$ , .X=  $\pm .1$ , .XX=  $\pm .03$ ,  
.XXX=  $\pm .005$ , ANGLES=  $\pm 1$  DEG.

D  
W  
G

**GH30 PURCHASE SPECS**