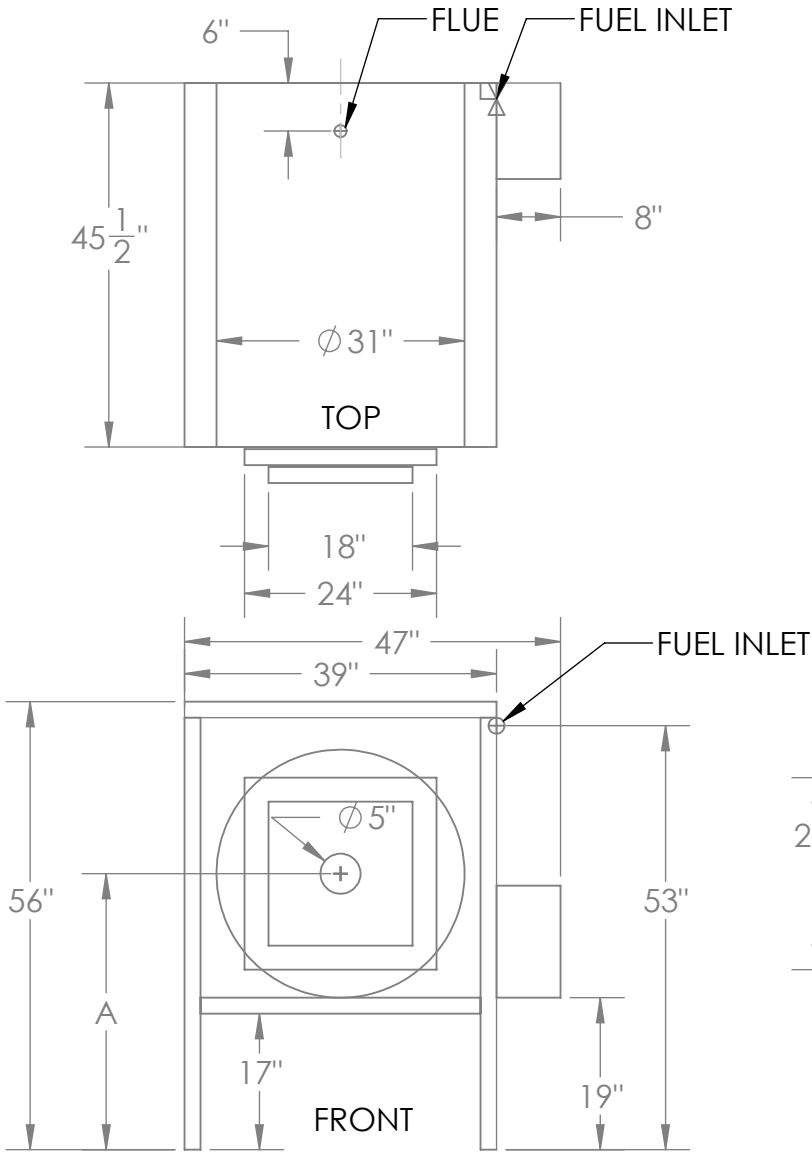


**GH18 GLORY HOLE  
TECHNICAL SPECIFICATIONS**

- Gas inlet 3/4" NPT
- 1psi natural gas
- 1/2 psi propane,
- 300Kbtu/hr
  
- Electrical 120VAC, 6 amps  
15 amp breaker
  
- Maximum temperature: 2450 °F
  
- Weight: 1,000 lbs  
Shipping Weight: 1,200 lbs
  
- Clearance: provide at least 36"  
clearance to side of control panel



NOTE: DIMENSION A IS  
ADJUSTABLE FROM 33" TO 35"

<b>A</b>	COPY	SCALE: 1:24	04-22-09	DLB	T I T L E G L E D G L O R Y H O L E  G H 1 8
	REV		SHEET 1 OF 1	DATE	
<u>PROPRIETARY STATEMENT</u> THIS DESIGN IS COPYRIGHT PROTECTED. ANY UNAUTHORIZED FABRICATION AND SALE OF THIS PRODUCT OR ITS DESIGN IS STRICTLY PROHIBITED, AND VIOLATORS WILL BE PROSECUTED TO THE FULL EXTENT OF THE LAW.		100-C RUSSELL DR. STAR, N.C. 27356 P.O. BOX 96 Ph. 910-428-4111 Fx. 910-428-4123			TOLERANCES: FRACTIONS= ± 1/16", .X= ±.1, .XX= ±.03, .XXX= ±.005, ANGLES= ± 1DEG.
					D W G
					<b>GH18 PURCHASE SPECS</b>